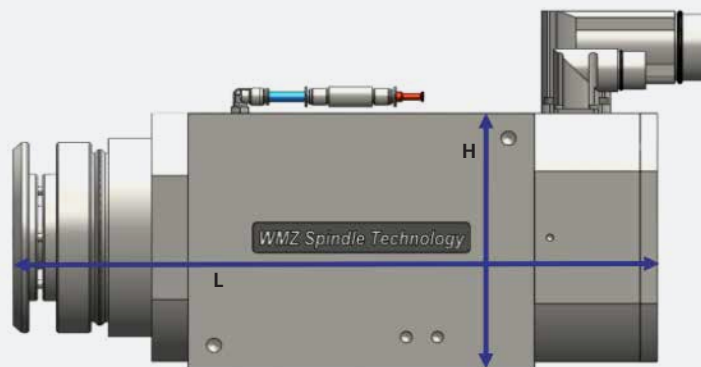
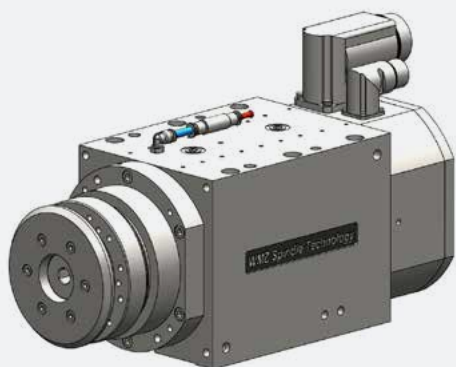


Grinding spindle MSP_S11o_Z7

CDVS
TECHNOLOGY
GROUP

WMZ
MOTORSPINDELN



Article number				ZN05-043-00K
Maximum speed			[1/min]	11.000
Chassis	Spindle with slide-in housing, closed cooling			
	Length of spindle [L]		[mm]	372
	Chassis [H]		[mm]	150 x 150
Bearing	Arrangement			
	Ø Inside	Bearing front	[mm]	65
		Rear bearing	[mm]	40
Lubrication	Type			
	Permanent grease lubrication			
	Lubricant			
	GS34			
Motor	Designation			
	1FE1051-6WN11			
	Y	Rated speed	[1/min]	5.300
		Torque S1 / S6-40%	[Nm]	10 / 12,5
		Power S1 / S6-40%	[kW]	5,6 / 7,2
	Motor type			
	synchronous			
	Inverter			
	SIN 18/36 A			
	Cooling medium			
	Water+glycol			
Sealing	Version			
	Labyrinth seal			
	air-locked			
Interface	Type			
	integrated disc flange for discs with bore D 76.2 mm			
Rotating union	Version			
	without			
Encoder	Version			
	Heidenhain ERM2400			
	Number of increments			
	1200			
Options	Temperature sensor			
	Vibration sensor			
	Body sound sensor in the spindle			
	Automatic built-in balancing head D42			
	Cylinder mount			
	External taper mounting with taper 1 : 7.5			
	Cylindrical slide-in chassis			

Werkzeugmaschinenbau Ziegenschain GmbH

Am Entenfang 24
D-34613 Schwalmstadt-Ziegenschain

T +49 6691 9461-0
F +49 6691 9461-20

Service-Hotline

for Assemblies T +49 6691 9461-44
for Machines T +49 6691 9461-38