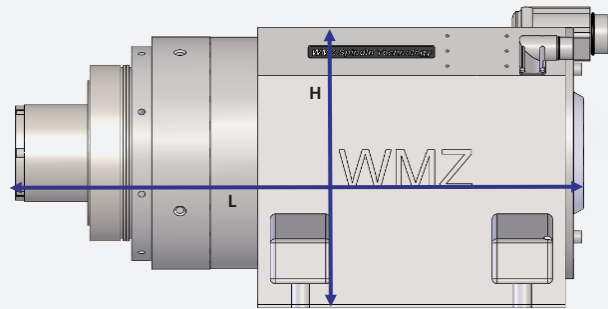
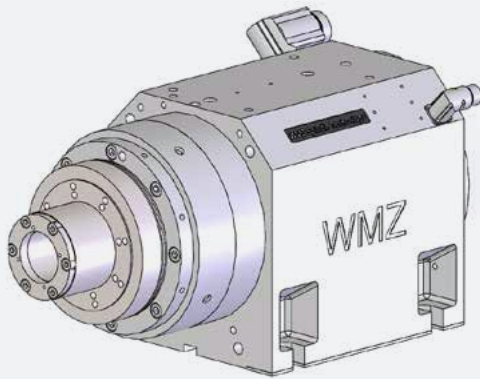


Grinding spindle MSP_S6o_Z18



Article number				ZF05-009-00K
Maximum speed			[1/min]	6.000
Housing	Spindle with prismatic housing, closed cooling			
	Length of spindle [L]		[mm]	590
	Chassis [H]	Height x depth	[mm]	290 x 260
Bearing	Arrangement			< > < >
	Ø Inside	Bearing front	[mm]	100
		Bearing rear	[mm]	65
Lubrication	Type			Permanent grease coating
	Lubricant			GS34
Motor	Designation			1FE1093-6WV11
	Y	Rated speed	[1/min]	1.600
		Torque S1 / S6-40%	[Nm]	100 / 130
		Power S1 / S6-40%	[kW]	17 / 22
	Motor type			synchronous
	Inverter			SIN 45/85 A
	Cooling medium			Water+glycol
Sealing	Version			Labyrinth seal
				air-locked
Interface	Type			Cylinder D100
Rotating union	Version			without
Encoder	Version			Heidenhain ERM2400
	Number of increments			2048
Options	Temperature sensor			
	Vibration sensor			
	Structure-borne sound sensor in the spindle			
	Automatic built-in balancing head D42			
	Short taper according to DIN 55026			
	Outer taper mounting with taper 1 : 7.5			
	Cylindrical slide-in chassis			

Werkzeugmaschinenbau Ziegenschain GmbH

Am Entenfang 24
D-34613 Schwalmstadt-Ziegenschain

T +49 6691 9461-0
F +49 6691 9461-20

Service-Hotline

for Assemblies T +49 6691 9461-44
for Machines T +49 6691 9461-38